

The SunPro Collector Series

Manufactured in Hawaii, for Hawaii since 1981 Another Superior EPI-308 Collector

Industrial Grade. Durable. Reliable.

Designed for Hawaii's climate, the SunPro Collector is precisely assembled under stringent quality control management. Engineered to meet or exceed all major governmental and local specifications, the SunPro Collector ensures a continuous supply of hot water for your family.

FULL 12 Year Manufacturers Warranty

Bronze Anodized Aluminum Frame

The use of heat treated aluminum creates a strong yet lightweight casing for internal components of the SunPro. Its durable bronze anodized coating ensures further protection from Hawaii's harsh climate. Stainless steel fasteners securely attach the glazing trim to the collector frame.

EPDM Glass Gasket

Continuous gasket with vulcanized corners.

Interlocking Mounting Clips

EPI "lock-in" brackets allow for flush or tilt installation eliminating any punctures to the SunPro frame.

Tempered Low-Iron Glass

Hi-T Glazing has an iron content of less than .05%. Custom manufactured for solar thermal applications.

All Copper Absorber Plate

The SunPro is unsurpassed by other products available in Hawaii – in wall thickness – and in tubing per square foot. SunPro's absorber boasts an all-copper tube and fin utilizing 5/8OD Type-M plumbing grade copper tubing. High fluid capacity.

Hi-Temp Insulation

SunPro's fiberglass insulation is an excellent temperature resistant material, both long-lasting and efficient. Foam or urethane insulation can degrade or expand at high temperatures.

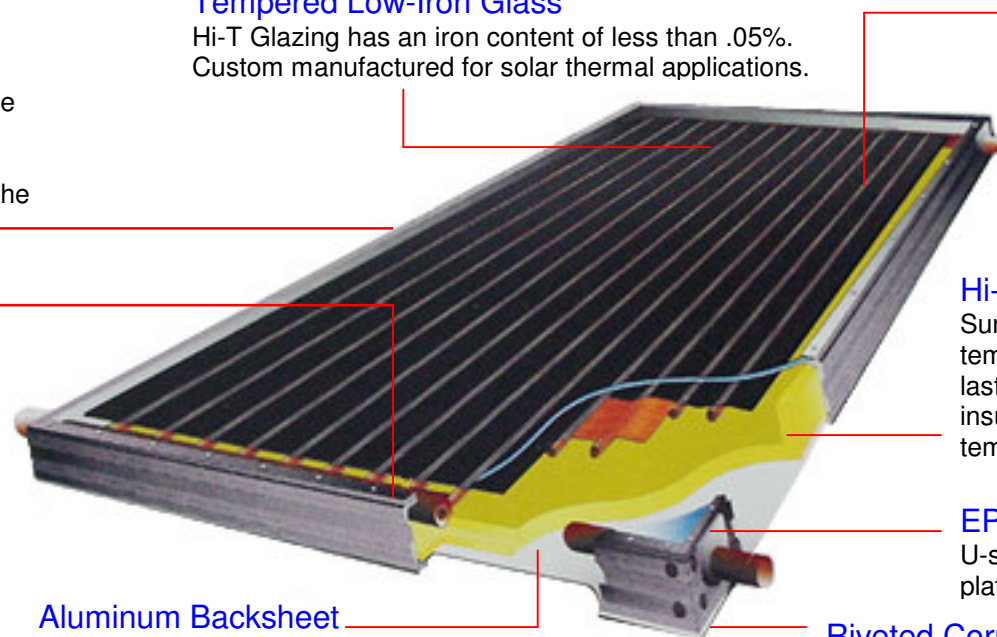
EPDM Grommets

U-shaped grommets allow for easy absorber plate removal.

Aluminum Backsheet

Riveted Corner Brackets

Aluminum pop rivets.



SunPro Specifications

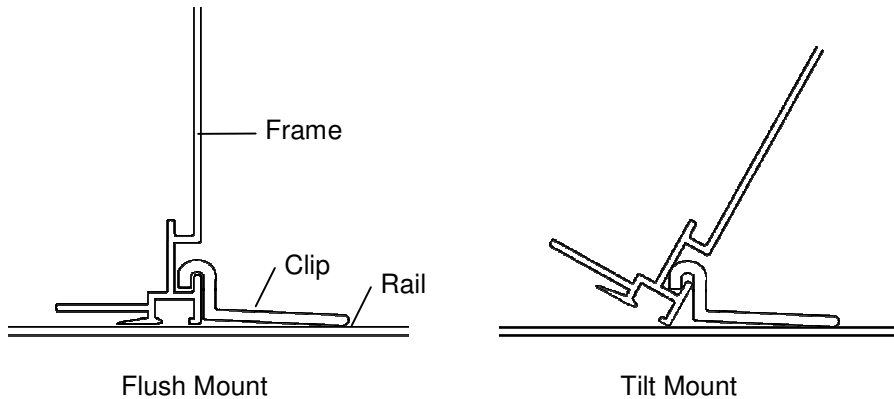
Model	SP21 / SP21C*	SP24 / SP24C*	SP32 / SP32C*	SP40 / SP40C*
Gross Area (ft ²)	20.76	23.69	31.78	39.64
Dimensions	35 $\frac{1}{8}$ x 85 $\frac{1}{8}$	35 $\frac{1}{8}$ x 97 $\frac{1}{8}$	47 $\frac{1}{8}$ x 97 $\frac{1}{8}$	47 $\frac{1}{8}$ x 121 $\frac{1}{8}$
Weight (lb)	88	97	123	170
Fluid Capacity (gal)	1.3	1.8	2.3	2.8
Wind Load Certified (MPH)	120	120	120	100

* "C" indicates chrome absorber
 All models in stock are SRCC tested and certified
 C&C of Honolulu Approval #MM81-40(1)

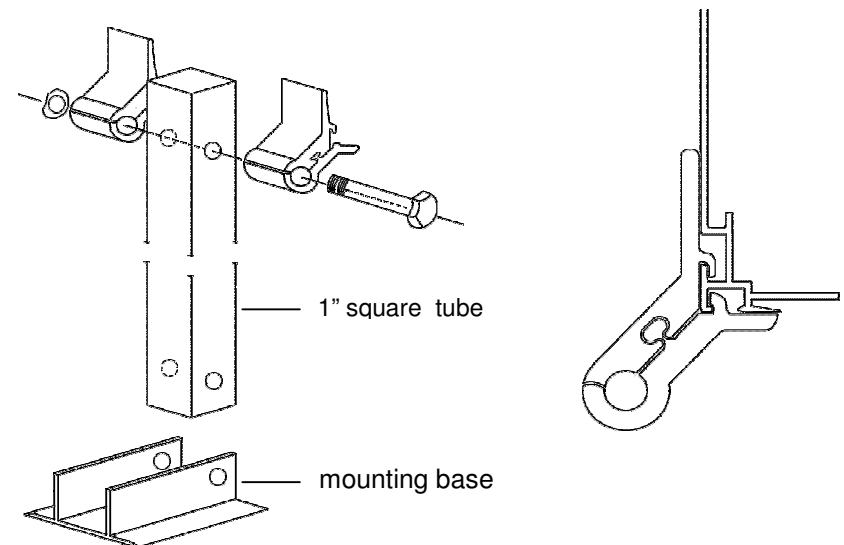
Mounting Details

All Mounting hardware locks to the collector frame without penetrations.

Hook Clips can be positioned anywhere on the frame:
 as flush mount clips or as bottom clips for tilt mounting.



Interlocking Hinge Clips can be used for tilt mounts with square tubing
 or with a mounting base to fasten collectors to a rail or directly to
 the roof. Square tubing is cut to length to achieve proper orientation.



For more information call:

